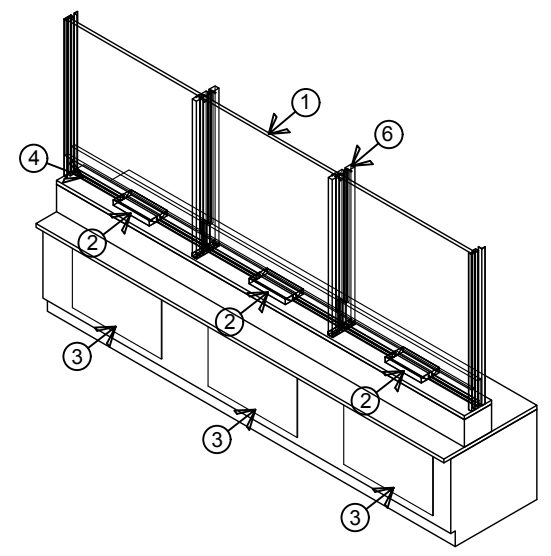
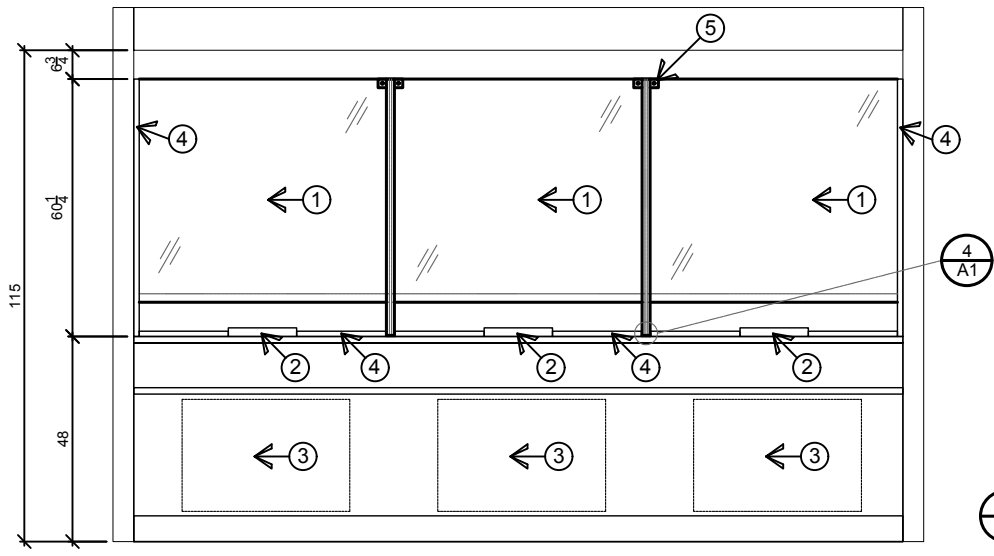


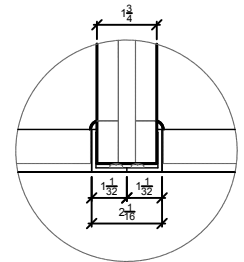
1 PLAN - CONT. RISER  
A1



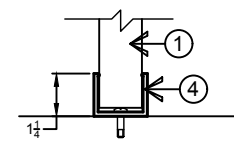
3 ISOMETRIC VIEW  
A1



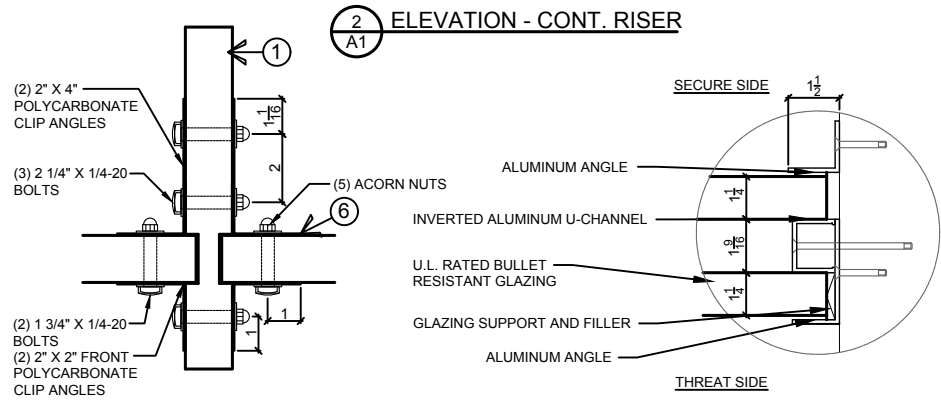
2 ELEVATION - CONT. RISER  
A1



4 SPLIT U-CHANNEL  
A1



5 U-CHANNEL  
A1



6 BAFFLE CLIPS  
A1

7 INSTALL DETAIL  
A1

**DRAWING NOTES:**

1. BULLET RESISTANT ACRYLIC OR ACRYLIC/POLYCARBONATE COMPOSITE. AVAILABLE IN PROTECTION LEVELS 1,2,3.
2. 18 GAUGE BRUSHED STAINLESS STEEL DEAL TRAYS. AVAILABLE SURFACE MOUNTED OR RECESSED. CUSTOM SIZES ARE AVAILABLE.
3. UL RATED BALLISTIC FIBERGLASS FOR UNDERCOUNTER PROTECTION. AVAILABLE IN PROTECTION LEVELS 1,2,3.
4. EXTRUDED ALUMINUM CHANNEL. SIZED TO MATCH THE LEVEL OF ACRYLIC PROTECTION. STANDARD COLORS: ARCHITECTURAL BRONZE AND CLEAR ANODIZED ALUMINUM. CUSTOM COLORS ARE AVAILABLE.
5. UNIFYING CLIP SYSTEM FOR RIGID STRUCTURAL CONNECTION. AVAILABLE IN CLEAR POLYCARBONATE OR STAINLESS STEEL.
6. VERTICAL SUPPORT BUTTRESS. SIZED PER SYSTEM HEIGHT. COMPOSED OF BULLET RESISTANT GLAZING TO MATCH THE REST OF SYSTEM.

Project Name:  
**HORIZONTAL BAFFLE SYSTEM**  
TYPICAL DETAILS  
COUNTINUOUS COUNTER

**Total Security Solutions**  
170 National Park Drive  
Fowlerville, Michigan 48836  
517.223.7807 Fax: 517.223.0805

Issue Date:		
Revisions		
No.	Date	Description
<small>These drawings and all information herein are of a confidential nature and remain the property of TOTAL SECURITY SOLUTIONS. No part of these drawings for any purpose, except by written permission of TOTAL SECURITY SOLUTIONS is strictly prohibited.</small>		
Designed By:		
Drawn By:		
Checked By:		
Sheet Title: PLAN / ELEVATION		
Sheet Number: A1		