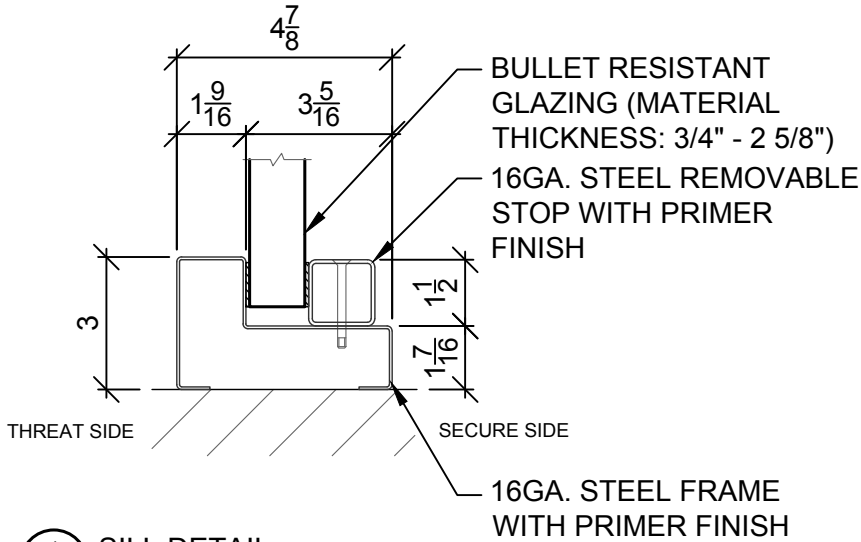
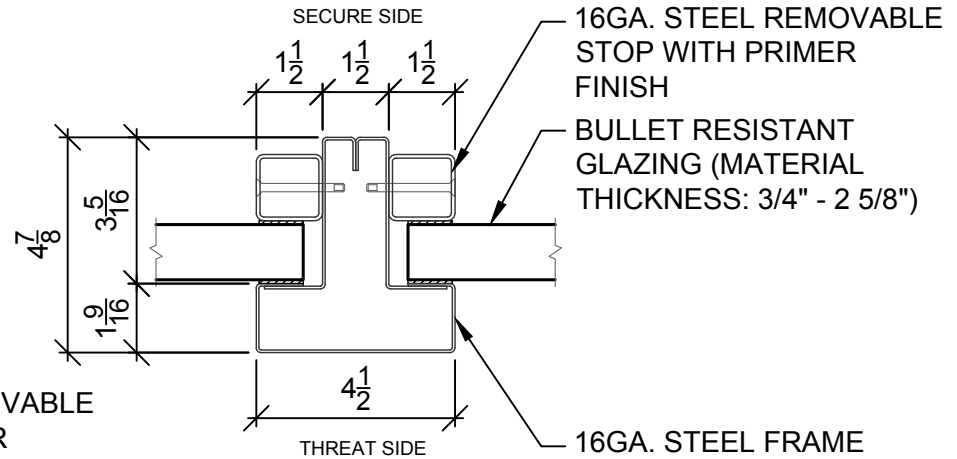


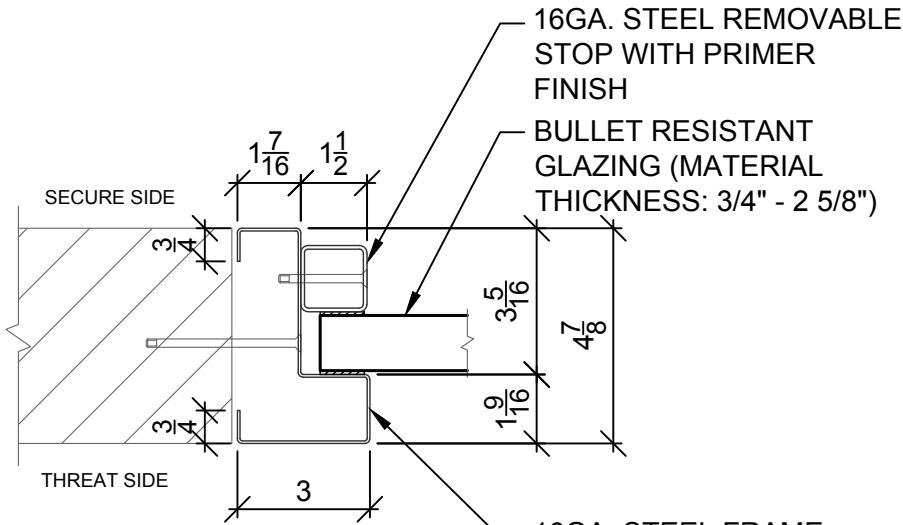
TSS STEEL HOLLOW METAL FRAMING







1
A1 SILL DETAIL



3
A1 MULLION DETAIL



2
A1 JAMB/HEAD DETAIL

-  OPTION TO LINE HOLLOW METAL FRAME WITH U.L. 752 RATED LEVEL 1 FIBERGLASS
-  OPTION TO LINE HOLLOW METAL FRAME WITH U.L. 752 RATED LEVEL 2 FIBERGLASS
-  OPTION TO LINE HOLLOW METAL FRAME WITH U.L. 752 RATED LEVEL 3 & 6 FIBERGLASS
-  OPTION TO LINE HOLLOW METAL FRAME WITH U.L. 752 RATED LEVEL 4-5 & 7-8 ARMOR PLATE

SHEET NUMBER:		A1	
SHEET TITLE:		DETAILS	
DATE:	11.30.17	REVISIONS:	JOB#:
DRAWN BY:	JR	# DATE	DESCRIPTION
ENG. BY:		A	
CHECKED BY:		A	
PROJECT NAME:			
TSS STEEL HOLLOW METAL FRAMING FOR U.L. 752 LEVEL 1-8 GLAZING			
<small>The information in this drawing is confidential and is the exclusive property of SECURITY SOLUTIONS. Written permission is required for distribution from TOTAL SECURITY SOLUTIONS.</small>			
Total Security Solutions 170 National Park Drive Fowlerville, MI 48836 Phone: 517.223.7807 Fax: 517.223.0805 www.DemandTSS.com			
TOTAL SECURITY SOLUTIONS			