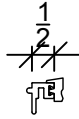
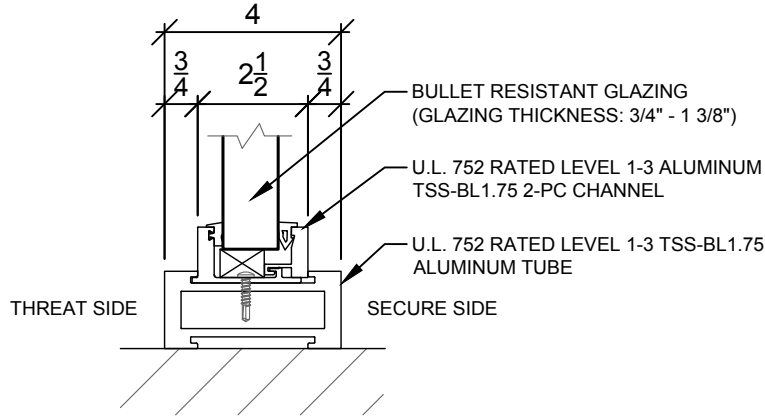


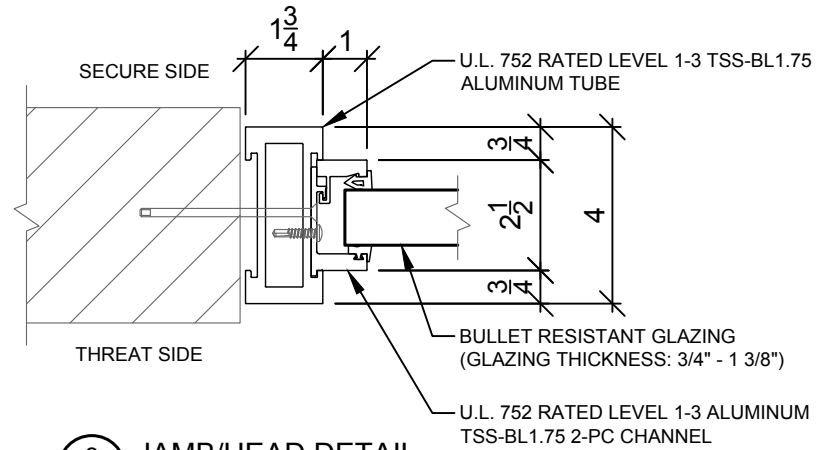
REDUCER REQUIRED FOR THINNER
GLAZING BUILD-UP



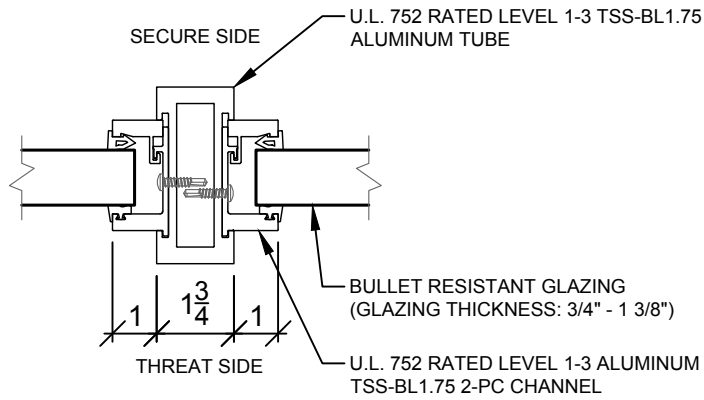
TSS-BL1.75 U.L. 752 LEVEL 1-3 & 6 FRAMING



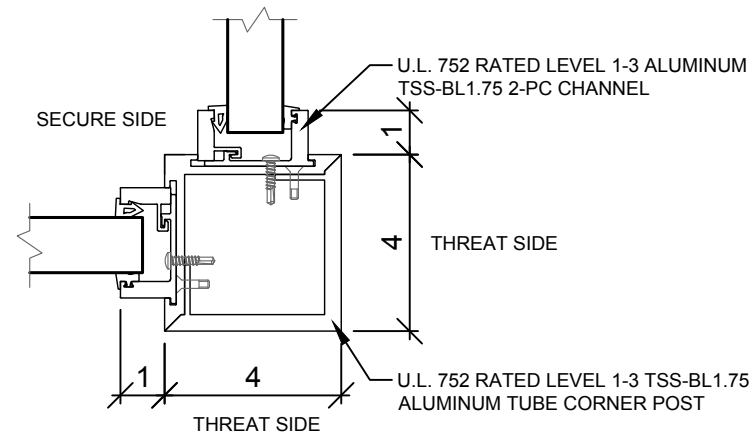
1
A1 SILL DETAIL



2
A1 JAMB/HEAD DETAIL



3
A1 MULLION DETAIL



4
A1 CORNER DETAIL

SHEET NUMBER: A1		
JOB#:		
DETAIL		
SHEET TITLE: DETAILS		
REVISIONS:		
#	DATE	DESCRIPTION
A		
A		
A		
DATE: 11.30.17		
DRAWN BY: JR		
ENG. BY:		
CHECKED BY:		
PROJECT NAME: TSS BL1.75 FRAMING DETAILS FOR U.L. 752 LEVEL 1-3 & 6		
<small>The information in this drawing is confidential and is the exclusive property of SECURITY SOLUTIONS. Written permission is required for distribution from TOTAL SECURITY SOLUTIONS.</small>		
Total Security Solutions 170 National Park Drive Fowlerville, MI 48836 Phone: 517.223.7807 Fax: 517.223.0805 www.DemandTSS.com		
TOTAL SECURITY SOLUTIONS		