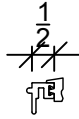
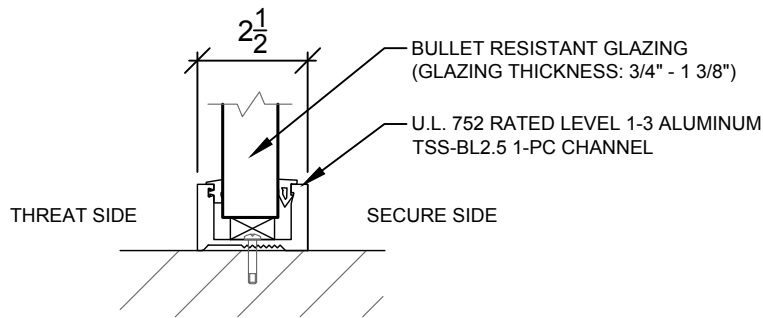


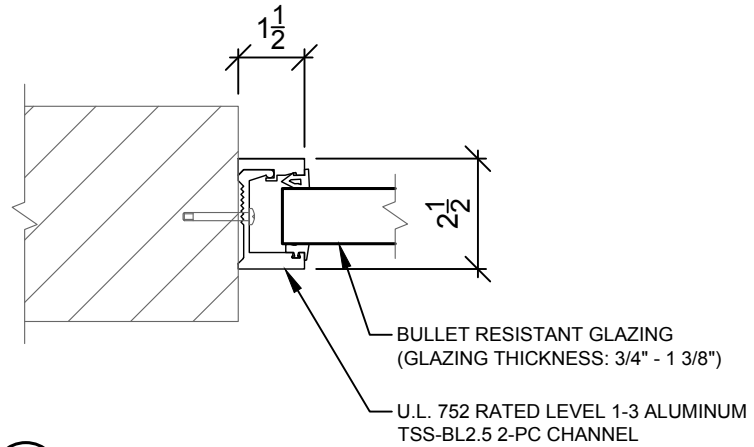
REDUCER REQUIRED FOR THINNER  
GLAZING BUILD-UP



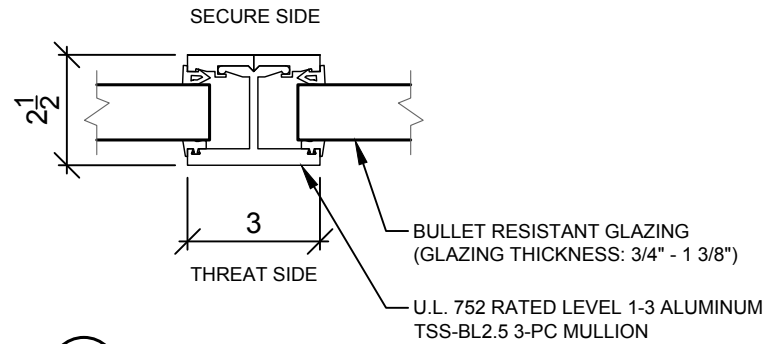
# TSS-BL2.5 U.L. 752 LEVEL 1-3 & 6 FRAMING



1  
A1 SILL DETAIL



2  
A1 JAMB/HEAD DETAIL



3  
A1 MULLION DETAIL

SHEET NUMBER: <b>A1</b>		SHEET TITLE: <b>DETAILS</b>	
DATE: 11.30.17	DRAWN BY: JR	REVISIONS: # DATE DESCRIPTION	JOB#:
ENG. BY:	CHECKED BY:	A	A
PROJECT NAME: <b>TSS BL2.5 CHANNEL DETAILS FOR U.L. 752 LEVEL 1-3 &amp; 6</b>		JOB#:	
<p>The information in this drawing is confidential and is the exclusive property of TOTAL SECURITY SOLUTIONS. Written permission is required for distribution from TOTAL SECURITY SOLUTIONS.</p>			
<p><b>Total Security Solutions</b> 170 National Park Drive Fowlerville, MI 48836 Phone: 517.223.7807 Fax: 517.223.0805 www.DemandTSS.com</p>			
<p><b>TOTAL SECURITY SOLUTIONS</b></p>			