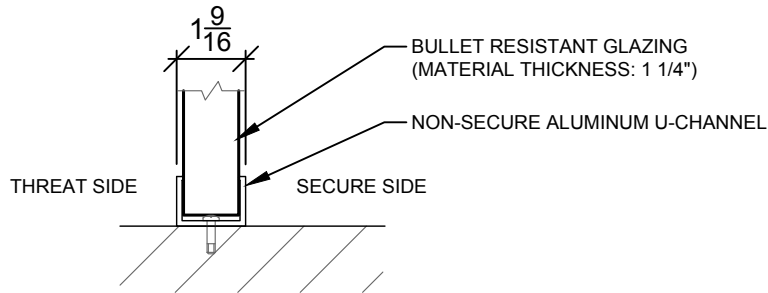
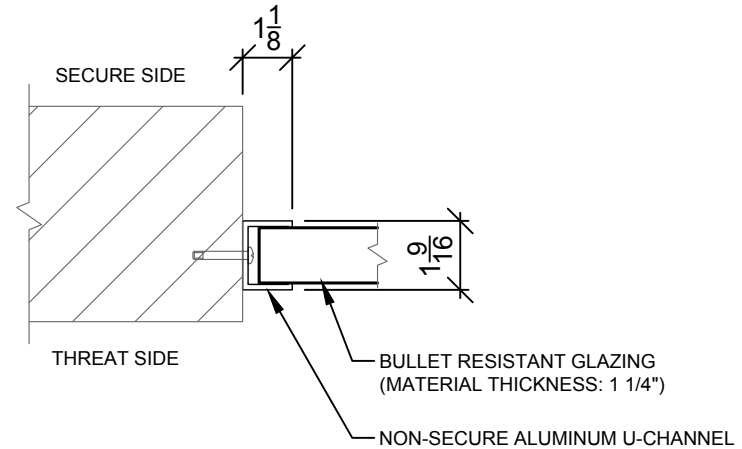


**TSS NON-SECURE U-CHANNEL FOR U.L. 752 LEVEL 1 & 3 GLAZING  
USED WITH 1 1/4" CAST ACRYLIC & 1 1/4" LP1250**

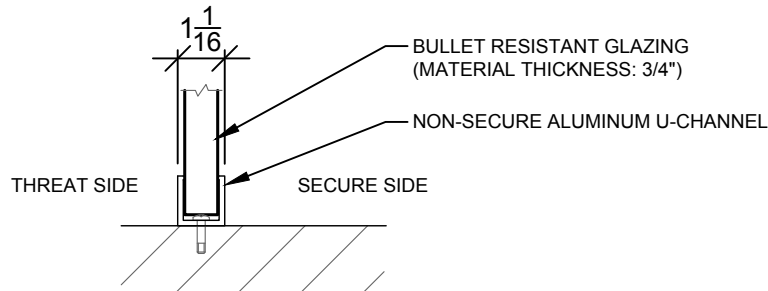


**1**  
A1 SILL DETAIL

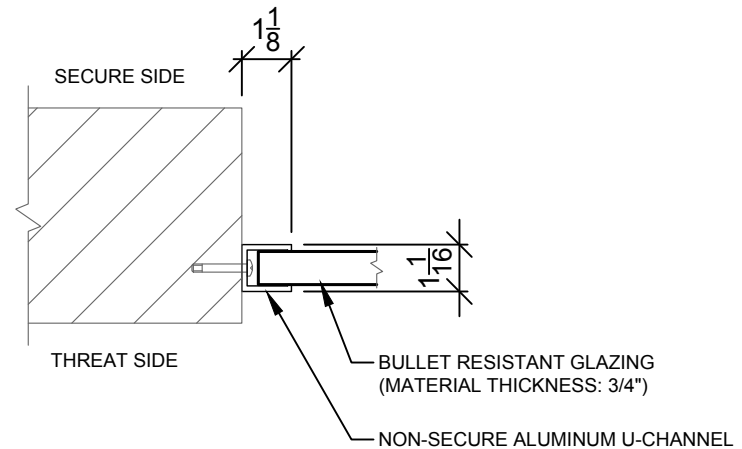


**2**  
A1 JAMB/HEAD DETAIL

**TSS NON-SECURE U-CHANNEL FOR U.L. 752 LEVEL 1 GLAZING  
USED WITH 3/4" LP750**



**3**  
A1 SILL DETAIL



**4**  
A1 JAMB/HEAD DETAIL

SHEET NUMBER: <b>A1</b>		JOB#:	
DATE: 11.30.17		DRAWN BY: JR	
PROJECT TITLE: <b>DETAILS</b>		ENG. BY:	
REVISIONS:		CHECKED BY:	
#	DATE	DESCRIPTION	
A			
A			
A			
PROJECT NAME: <b>TSS NON-SECURE U-CHANNEL FOR U.L. 752 LEVEL 1 &amp; 3 GLAZING</b>			
<small>The information in this drawing is confidential and is the exclusive property of TOTAL SECURITY SOLUTIONS. Written permission is required for distribution from TOTAL SECURITY SOLUTIONS.</small>			
<b>Total Security Solutions</b> 170 National Park Drive Fowlerville, MI 48836 Phone: 517.223.7807 Fax: 517.223.0805 www.DemandTSS.com			
<b>TOTAL SECURITY SOLUTIONS</b>			