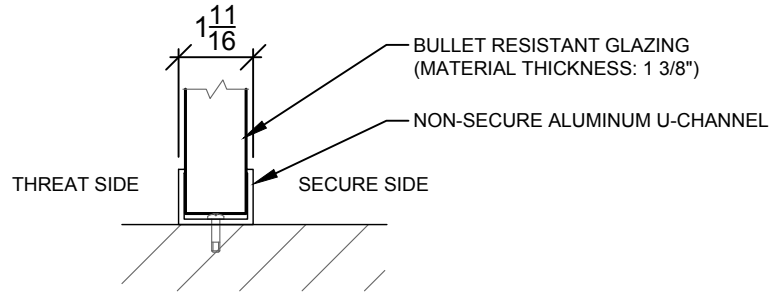
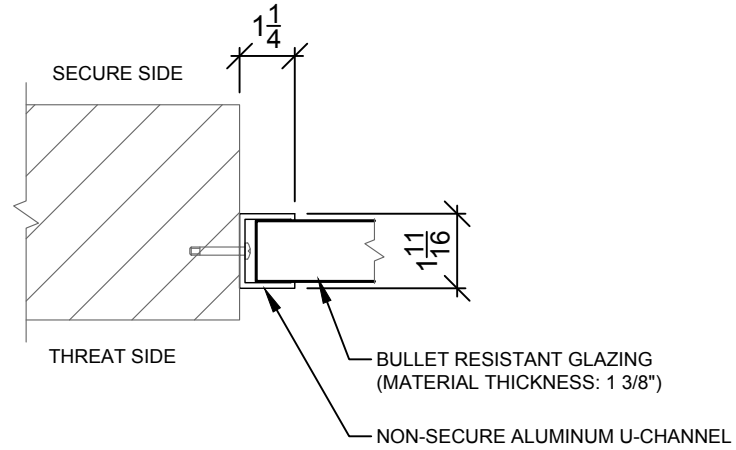


**TSS NON-SECURE U-CHANNEL FOR U.L. 752 LEVEL 2 GLAZING
USED WITH 1 3/8" CAST ACRYLIC**

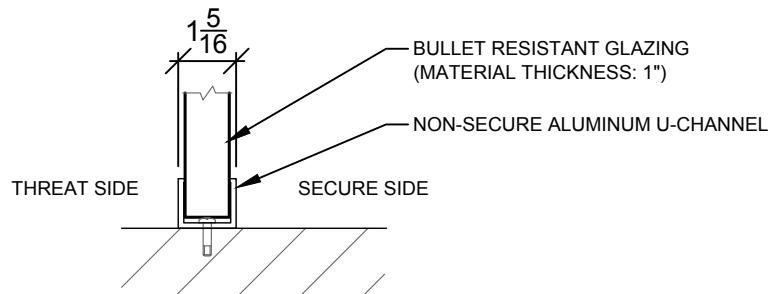


1
A1 SILL DETAIL

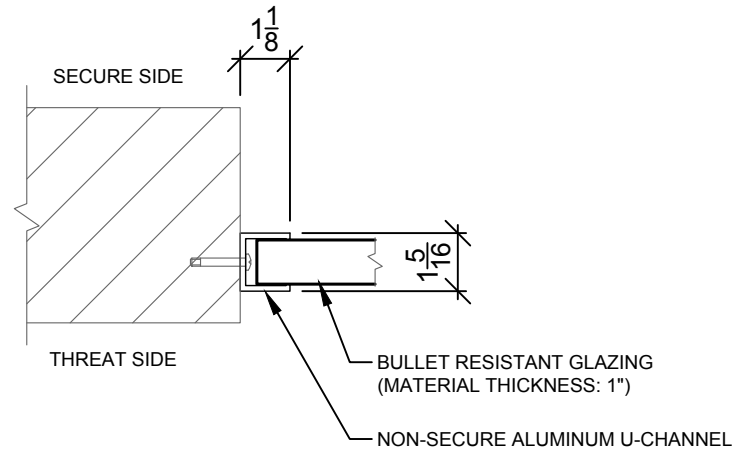


2
A1 JAMB/HEAD DETAIL

**TSS NON-SECURE U-CHANNEL FOR U.L. 752 LEVEL 2 GLAZING
USED WITH 1" LP1000**



3
A1 SILL DETAIL



4
A1 JAMB/HEAD DETAIL

PROJECT NAME: TSS NON-SECURE U-CHANNEL FOR U.L. 752 LEVEL 2 GLAZING		SHEET NUMBER: A1
DATE: 11.30.17		REVISIONS: # DATE DESCRIPTION
DRAWN BY: JR		A
ENG. BY:		A
CHECKED BY:		A
PROJECT TITLE: DETAILS		JOB#: DETAIL
<p>The information in this drawing is confidential and is the exclusive property of SECURITY SOLUTIONS. Written permission is required for distribution from TOTAL SECURITY SOLUTIONS.</p> <p>Total Security Solutions 170 National Park Drive Fowlerville, MI 48836 Phone: 517.223.7807 Fax: 517.223.0805 www.DemandTSS.com</p>		
<p align="center">TOTAL SECURITY SOLUTIONS</p>		