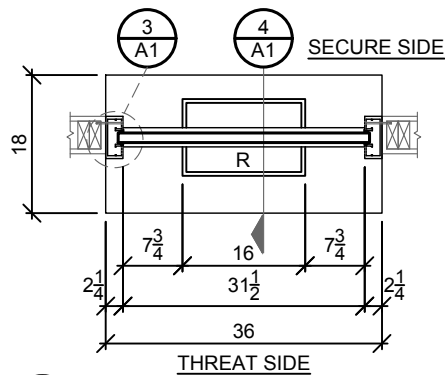
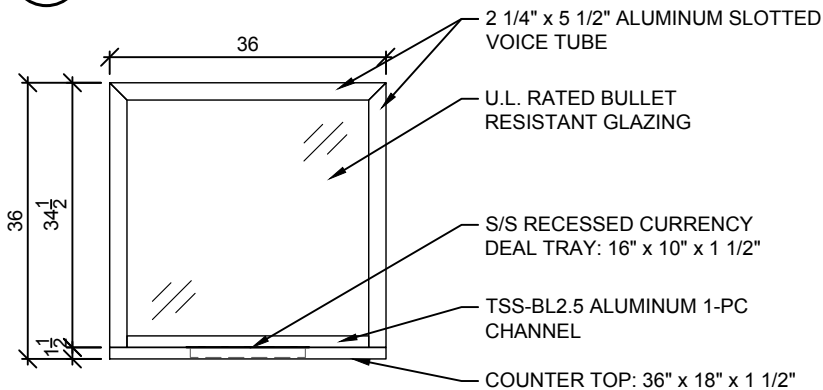


APPROVAL REQUIRED	PLEASE VERIFY	DRAWING NOTES
<input type="checkbox"/> APPROVED AS DRAWN	1. PLEASE SELECT ALUMINUM ANODIZE COLOR: <input type="checkbox"/> CLEAR <input type="checkbox"/> DARK BRONZE	1. THIS WILL BE FABRICATED & SHIPPED TO THE EXACT DIMENSION SHOWN.
<input type="checkbox"/> APPROVED AS NOTED	2. PLEASE SELECT GLAZING RATING: <input type="checkbox"/> U.L. LEVEL 1 <input type="checkbox"/> U.L. LEVEL 2 <input type="checkbox"/> U.L. LEVEL 3	2. ALL DIMENSIONS MUST BE APPROVED, SIGNED, DATED, OR OTHERWISE NOTED ON THIS DRAWING BEFORE FABRICATION CAN BEGIN.
<input type="checkbox"/> REJECTED	3. PLEASE SELECT GLAZING MATERIAL TYPE: <input type="checkbox"/> UNCOATED ACRYLIC (LVL 1 & 2 ONLY) <input type="checkbox"/> ABRASION RESISTANT ACRYLIC (LVL 1 & 2 ONLY) <input type="checkbox"/> LAMINATED POLYCARB./ACRYLIC (LVL 1,2, & 3) <input type="checkbox"/> GLASS CLAD POLYCARBONATE (LVL 1,2, & 3)	3. FINISHED OPENING SIZE: 36 1/4" x 36 1/4".
SIGNATURE: _____	4. PLEASE SELECT COUNTER TOP MATERIAL: <input type="checkbox"/> BLACK PLASTIC LAMINATE <input type="checkbox"/> 18 GA. S/S - #4 FIN.	4. VOICE PORT WILL BE CENTERED IN UNIT, UNLESS OTHERWISE SPECIFIED (TYP. 60" A.F.F.).
DATE: _____		5. ALUMINUM COLOR MUST BE SPECIFIED FOR THE ENGINEERING TO BEGIN.
		* IN THE EVENT OF CONFLICTS OR DISCREPANCIES AMONG THE CONTRACT DOCUMENTS, INTERPRETATIONS WILL GIVE PRIORITY TO THE TOTAL SECURITY SOLUTIONS APPROVAL DRAWINGS OVER THE PROPOSAL OR ANY OTHER DOCUMENT PROVIDED OR INCLUDED IN THE AGREEMENT.

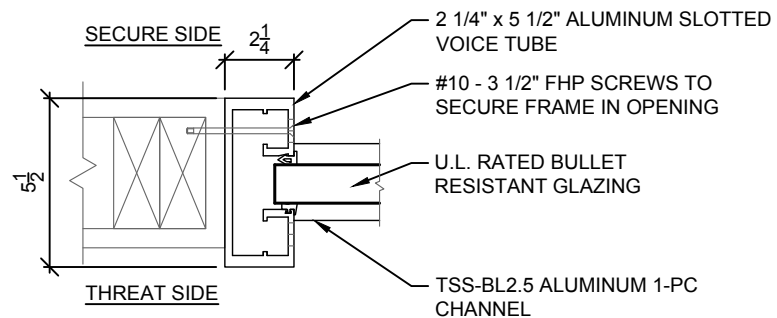
( ) UNIT(S) REQUIRED



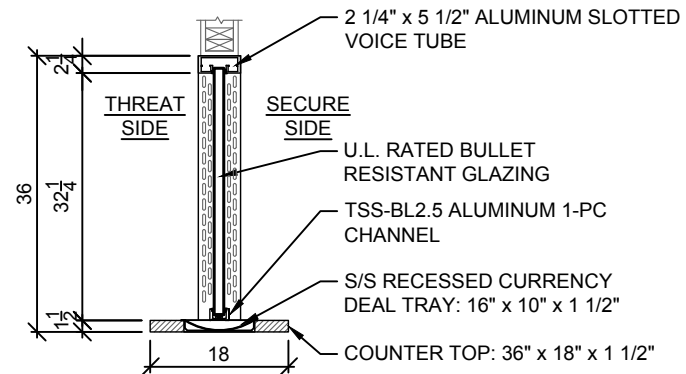
1 PLAN  
A1



2 ELEVATION  
A1



3 DETAIL  
A1



4 SECTION  
A1

SHEET NUMBER: <b>A1</b>	DATE: 01.01.12	PROJECT NAME: <b>SLOTTED VOICE AROUND INTERIOR TRANSACTION WINDOW WITH COUNTER TOP &amp; S/S RECESSED DEAL TRAY</b>	<p>The information in this drawing is confidential and the property of TOTAL SECURITY SOLUTIONS. When reproduced or used for any other purpose without the written permission of TOTAL SECURITY SOLUTIONS, the user agrees to indemnify and hold TOTAL SECURITY SOLUTIONS harmless.</p>
DETAILS	DRAWN BY: XXX	U.L. RATED BULLET RESISTANT GLAZING	
REVISIONS:	ENG. BY: YYY	U.L. RATED BULLET RESISTANT GLAZING	<p><b>Total Security Solutions</b> 170 National Park Drive Fowlerville, MI 48836 Phone: 517.223.7807 Fax: 517.223.0805 www.DemandTSS.com</p>
DATE:	CHECKED BY: XX	U.L. RATED BULLET RESISTANT GLAZING	
			<p>TOTAL SECURITY SOLUTIONS</p>