

APPROVAL REQUIRED	
<input type="checkbox"/>	APPROVED AS DRAWN
<input type="checkbox"/>	APPROVED AS NOTED
<input type="checkbox"/>	REJECTED
SIGNATURE:	
DATE:	
PLEASE SELECT SLIDER DIRECTION:	
<input type="checkbox"/>	
<input type="checkbox"/>	

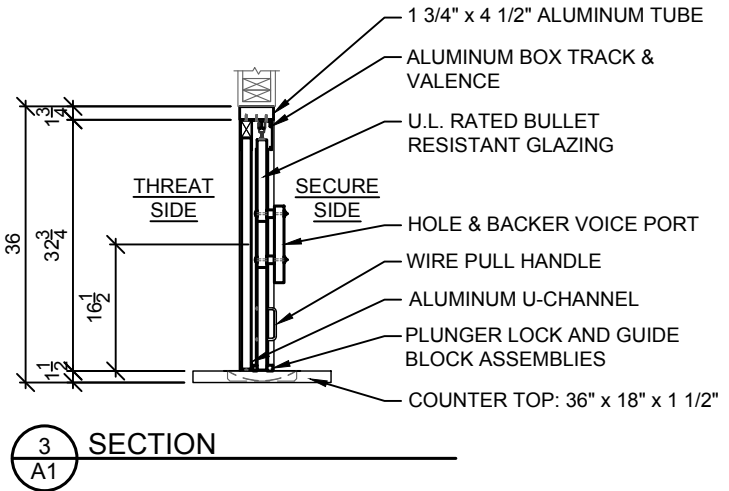
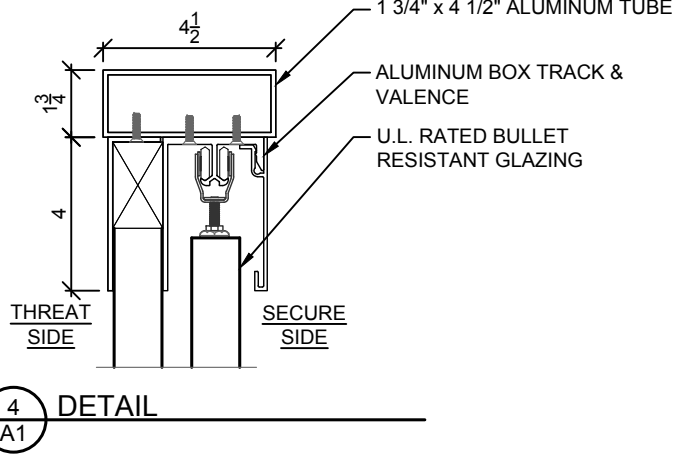
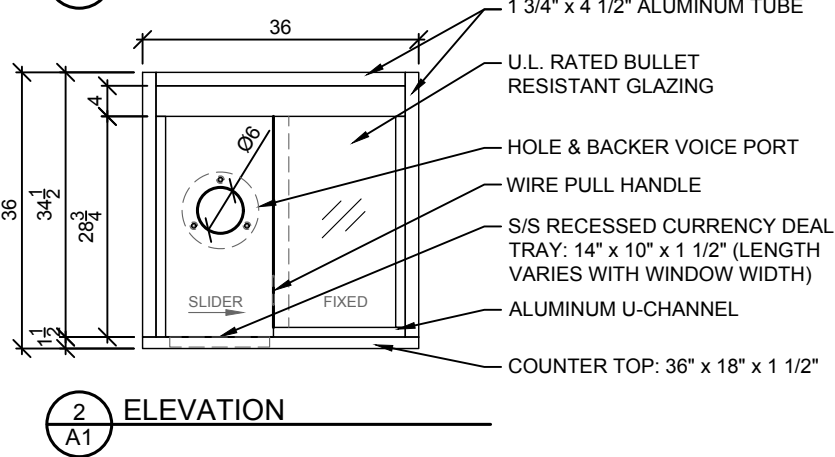
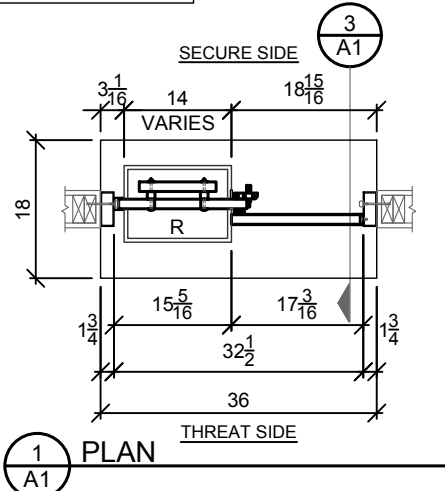
PLEASE VERIFY	
1. PLEASE SELECT ALUMINUM ANODIZE COLOR: <input type="checkbox"/> CLEAR <input type="checkbox"/> DARK BRONZE	
2. PLEASE SELECT GLAZING RATING: <input type="checkbox"/> U.L. LEVEL 1 <input type="checkbox"/> U.L. LEVEL 2 <input type="checkbox"/> U.L. LEVEL 3 CONTACT T.S.S. FOR LEVEL 4-5 OPTIONS (LEVEL 3 MEETS LEVEL 6 REQUIREMENTS)	
3. PLEASE SELECT GLAZING MATERIAL TYPE: <input type="checkbox"/> UNCOATED ACRYLIC (LVL 1 & 2 ONLY) <input type="checkbox"/> ABRASION RESISTANT ACRYLIC (LVL 1 & 2 ONLY) <input type="checkbox"/> LAMINATED POLYCARB./ACRYLIC (LVL 1, 2, & 3) <input type="checkbox"/> GLASS CLAD POLYCARBONATE (LVL 1, 2, & 3)	
4. PLEASE SELECT COUNTER TOP MATERIAL: <input type="checkbox"/> BLACK PLASTIC LAMINATE <input type="checkbox"/> 18 GA. S/S - #4 FIN.	

DRAWING NOTES

- THIS WILL BE FABRICATED & SHIPPED TO THE EXACT DIMENSION SHOWN.
- ALL DIMENSIONS MUST BE APPROVED, SIGNED, DATED, OR OTHERWISE NOTED ON THIS DRAWING BEFORE FABRICATION CAN BEGIN.
- FINISHED OPENING SIZE: 36 1/4" x 36 1/4".
- VOICE PORT WILL BE CENTERED IN UNIT, UNLESS OTHERWISE SPECIFIED (TYP. 60" A.F.F.).
- ALUMINUM COLOR MUST BE SPECIFIED FOR THE ENGINEERING TO BEGIN.

* IN THE EVENT OF CONFLICTS OR DISCREPANCIES AMONG THE CONTRACT DOCUMENTS, INTERPRETATIONS WILL GIVE PRIORITY TO THE TOTAL SECURITY SOLUTIONS APPROVAL DRAWINGS OVER THE PROPOSAL OR ANY OTHER DOCUMENT PROVIDED OR INCLUDED IN THE AGREEMENT.

() UNIT(S) REQUIRED



PROJECT NAME: HORIZONTAL SLIDER INTERIOR TRANSACTION WINDOW WITH COUNTER TOP & S/S RECESSED DEAL TRAY	SHEET NUMBER: A1
	DATE: 01.01.12
	DRAWN BY: XXX
	ENG. BY: YYY
The information in this drawing is confidential and the property of TOTAL SECURITY SOLUTIONS. When reproduced or used for any other purpose without the written permission of TOTAL SECURITY SOLUTIONS, the user agrees to indemnify and hold TOTAL SECURITY SOLUTIONS harmless from all claims, damages, and expenses, including reasonable attorneys' fees.	REVISIONS:
	DATE: / /
	DESCRIPTION:
	CHECKED BY: XX
Total Security Solutions 170 National Park Drive Fowlerville, MI 48836 Phone: 517.223.0807 Fax: 517.223.0805 www.DemandTSS.com	TOTAL SECURITY SOLUTIONS