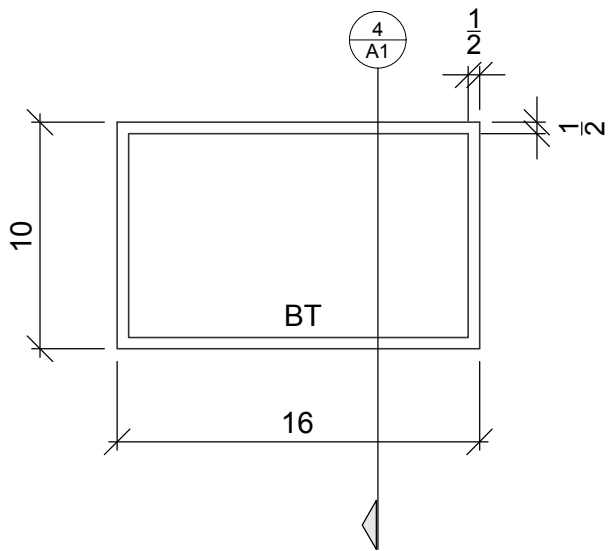
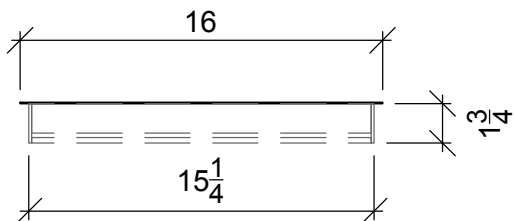


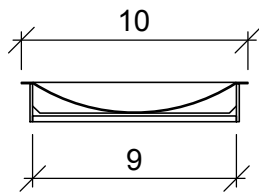
**AVAILABLE SIZES**  
 - 16" x 10" X 1 3/4"



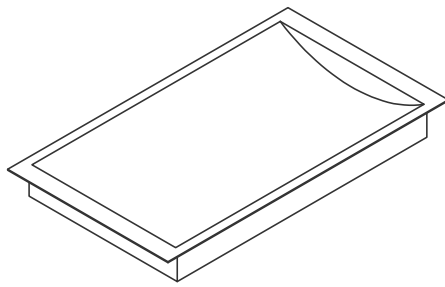
1 PLAN  
 A1



2 ELEVATION  
 A1

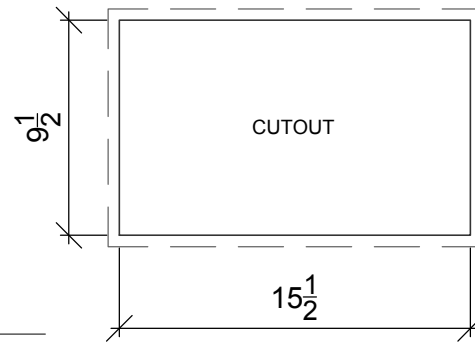


4 SECTION  
 A1



3 ISOMETRIC VIEW  
 A1

INSTALL RECESSED CASH TRAY  
 BY ROUTING OUT A HOLE IN THE  
 COUNTERTOP (AS DETAILED)



CUT OUT SIZE: 15 1/2" x 9 1/2"

PROJECT NAME: <b>RECESSED TRAY W/BULLET TRAP</b> 16 x 10" x 1 3/4"	DATE: 3.3.17	SHEET TITLE: <b>DETAILS</b>	SHEET NUMBER: <b>A1</b>
	DRAWN BY: SRK	REVISIONS: # DATE DESCRIPTION	JOB#: <b>SALES</b>
The information in this drawing is confidential. It is the property of TOTAL SECURITY SOLUTIONS. Written reproduction and/or distribution without the written consent of TOTAL SECURITY SOLUTIONS is prohibited.	ENG. BY:	CHECKED BY:	
<b>Total Security Solutions</b> 170 National Park Drive Glenview, IL 60046 Phone: 517.223.7800 Fax: 517.223.0805 www.DemandTSS.com			
<b>TOTAL SECURITY SOLUTIONS</b>			