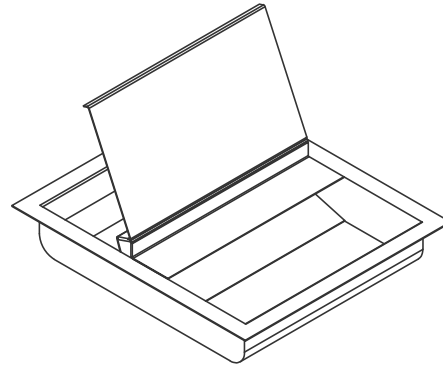


RECESSED FLIP LID CASH TRAY

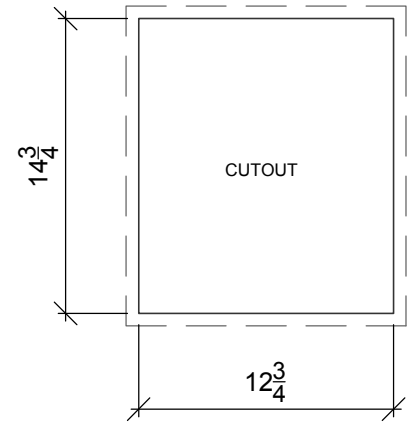
FEATURES

- Wide range of sizes available
- Welded stainless steel construction
- No exposed fasteners
- Easy installation

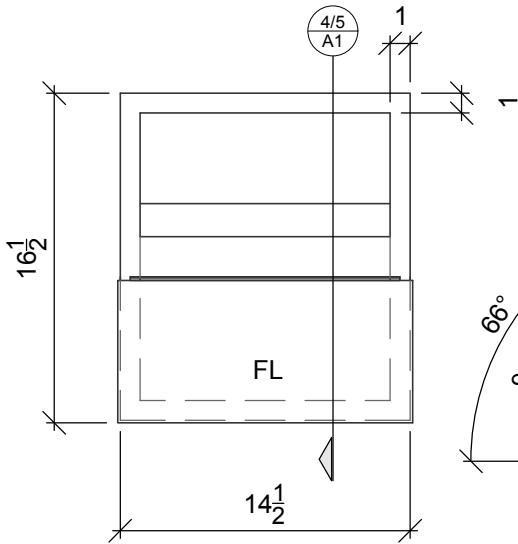


3
A1 ISOMETRIC VIEW

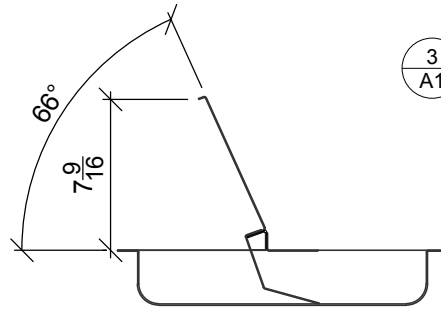
INSTALL RECESSED CASH TRAY BY ROUTING OUT A HOLE IN THE COUNTERTOP (AS DETAILED)



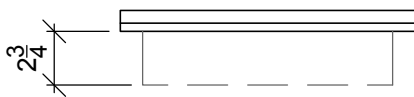
CUT OUT SIZE: 12 3/4" x 14 3/4"



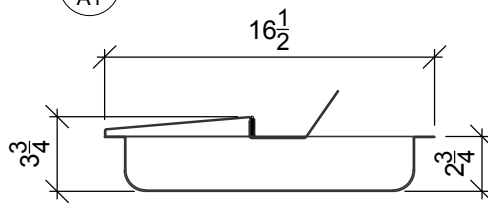
1
A1 PLAN



4
A1 SECTION



2
A1 ELEVATION



5
A1 SECTION

STANDARDS

The deal tray is easily installed on new or existing counters. The tray is constructed of 18 GA Stainless steel with a #4 brushed satin finish, all joints welded and ground smooth.

- Installed flush with counter top
- Brushed stainless steel finish
- Lid helps minimize air flow

SIZES

14-1/2" x 16-1/2" x 2-3/4"

Custom sizes available.