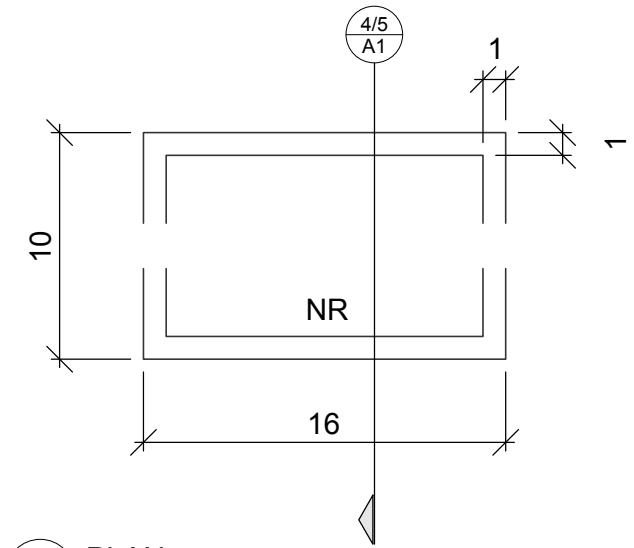
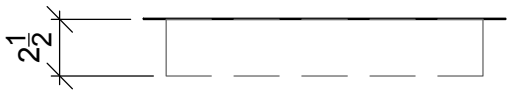


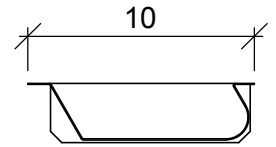
AVAILABLE SIZES
 - 16" x 10" X 2 1/2"



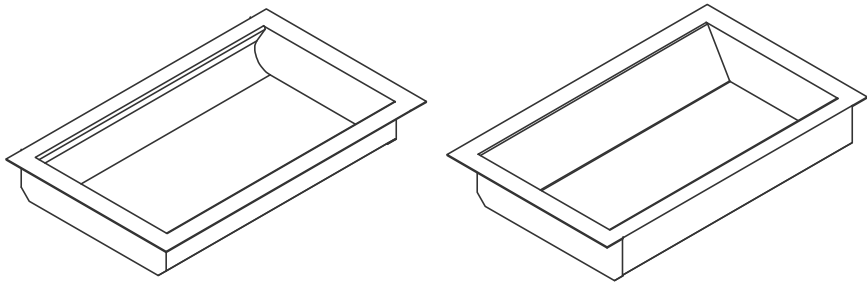
1 PLAN
A1



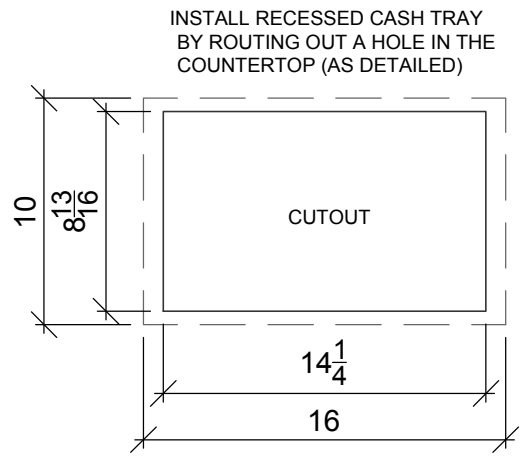
2 ELEVATION
A1



5 SECTION
A1



3 ISOMETRIC VIEW
A1



CUT OUT SIZE: 14 1/4" x 8 13/16"

PROJECT NAME: RECESSED NON-RICOCHET DEAL TRAY 16" x 10" x 2 1/2"	DATE: 1.11.18	SHEET TITLE:	SHEET NUMBER:
	DRAWN BY: SRK	DETAILS	A1
ENG. BY:	# DATE DESCRIPTION		JOB#:
CHECKED BY:			SALES
The information in this drawing is confidential. It is the property of TOTAL SECURITY SOLUTIONS. Written or verbal reproduction without the written consent of TOTAL SECURITY SOLUTIONS is prohibited.			
Total Security Solutions 170 National Park Drive Glenview, IL 60046 Phone: 517.223.7800 Fax: 517.223.0805 www.DemandTSS.com			
TOTAL SECURITY SOLUTIONS			