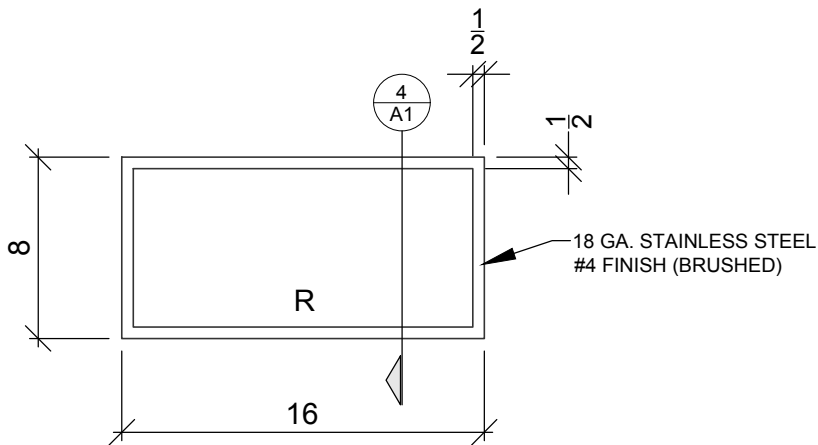
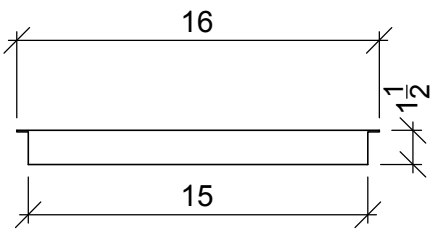


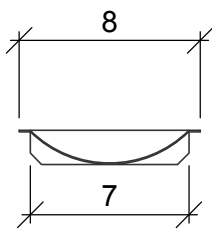
AVAILABLE SIZES	
-	12" x 8" x 1 1/2"
-	14" x 8" x 1 1/2"
-	16" x 8" x 1 1/2"
-	12" x 10" x 1 1/2"
-	14" x 10" x 1 1/2"
-	16" x 10" x 1 1/2"



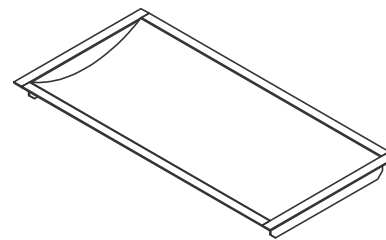
1 PLAN
A1



2 ELEVATION
A1

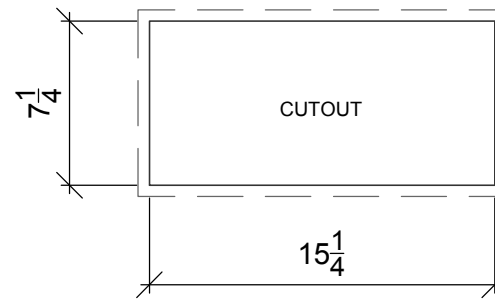


4 SECTION
A1



3 ISOMETRIC VIEW
A1

INSTALL RECESSED CASH TRAY
BY ROUTING OUT A HOLE IN THE
COUNTERTOP (AS DETAILED)



CUT OUT SIZE: 15 1/4" X 7 1/4"

PROJECT NAME: RECESSED TRAY 16" x 8" x 1 1/2"	SHEET NUMBER: A1
	SHEET TITLE: DETAILS
DATE: 01.30.18 DRAWN BY: SRK ENG. BY:	REVISIONS: # DATE DESCRIPTION
CHECKED BY:	JOB#:
The information in this drawing is confidential. It is the property of TOTAL SECURITY SOLUTIONS. Written or verbal reproduction and/or distribution without the written consent of TOTAL SECURITY SOLUTIONS is strictly prohibited.	SALES
Total Security Solutions 170 National Park Drive Glenview, IL 60046 Phone: 517.223.7800 Fax: 517.223.0805 www.DemandTSS.com	TOTAL SECURITY SOLUTIONS