

FEATURES

The TSS Recessed Cash Tray is available in a wide range of sizes. The tray is composed of stainless steel material and is welded together for a clean look. There are no exposed fasteners which allow for a smooth finish and easy installation.

STANDARDS

The TSS Recessed Cash Tray is easily installed on new or existing counters. The tray is constructed from 18 gauge stainless steel with a number 4 brushed satin finished, and all joints are welded and polished smooth.

SIZES

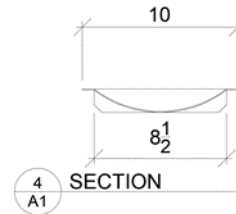
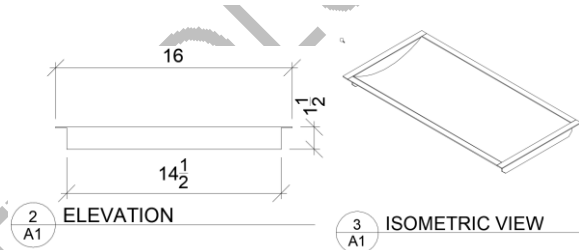
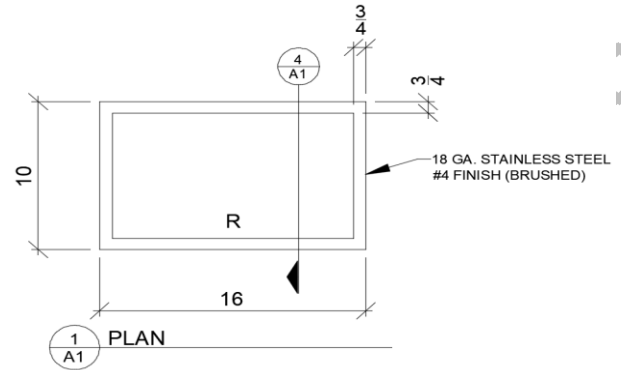
- | 12" X 8" X 1 3/4" | 12" X 10" X 1 3/4" |
- | 14" X 8" X 1 3/4" | 14" X 10" X 1 3/4" |
- | 16" X 8" X 1 3/4" | 16" X 10" X 1 3/4" |

STANDARD WARRANTY

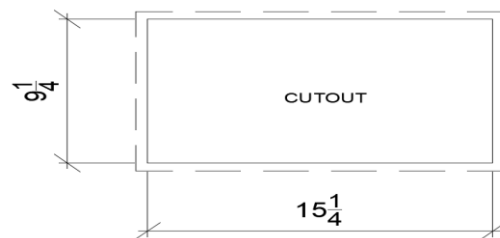
12-month limited warranty. Does not cover damage from neglect, abuse, vandalism, improper maintenance, or any other cause not arising out of defects in material or workmanship. The warranties stated replace and exclude all other warranties. The warranty is limited to replacing products that fail to meet specification, defective in quality, or workmanship at time of delivery. TSS is not responsible for (re)installation expenses or any direct or indirect losses which may result from a defective product. TSS reserves the right to field inspect any product alleged to be defective. Buyer is responsible for any consequences from product use.

STAINLESS STEEL DEAL TRAY

PRODUCT: TSS RECESSED CASH TRAY



INSTALL RECESSED CASH TRAY BY ROUTING OUT A HOLE IN THE COUNTERTOP (AS DETAILED)



CUT OUT SIZE: 15 1/4" X 9 1/4"