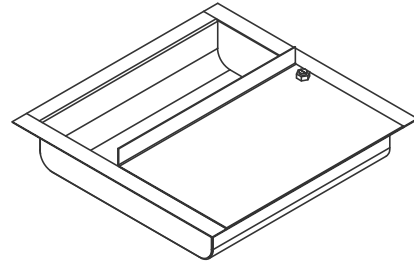


RECESSED SLIDING LID **CASH TRAY**

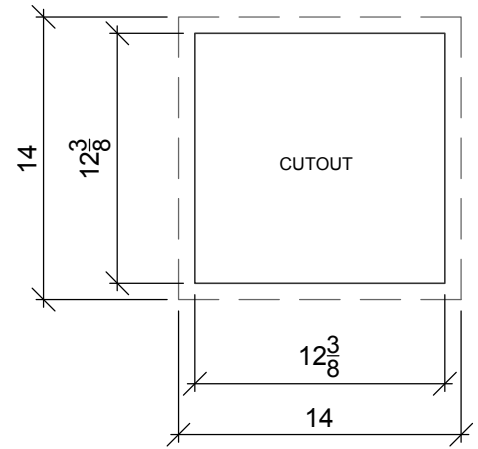
FEATURES

- Wide range of sizes available
- Welded stainless steel construction
- No exposed fasteners
- Easy installation

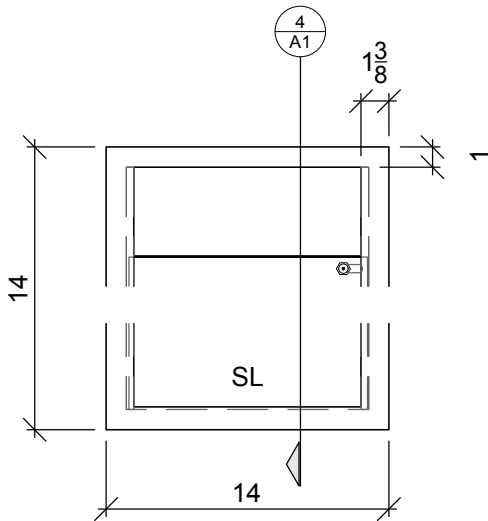


3  
A1 ISOMETRIC VIEW

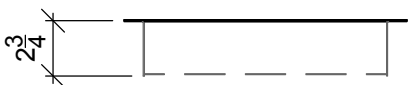
INSTALL RECESSED CASH TRAY  
BY ROUTING OUT A HOLE IN THE  
COUNTERTOP (AS DETAILED)



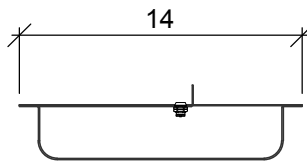
CUT OUT SIZE: 12 3/8" x 12 3/8"



1  
A1 PLAN



2  
A1 ELEVATION



4  
A1 SECTION

STANDARDS

The deal tray is easily installed on new or existing counters. The tray is constructed of 18 GA Stainless steel with a #4 brushed satin finish, all joints welded and ground smooth.

- Installed flush with counter top
- Brushed stainless steel finish
- Sliding lockable cover

SIZES

14" x 14" x 2-3/4"

Custom sizes available.