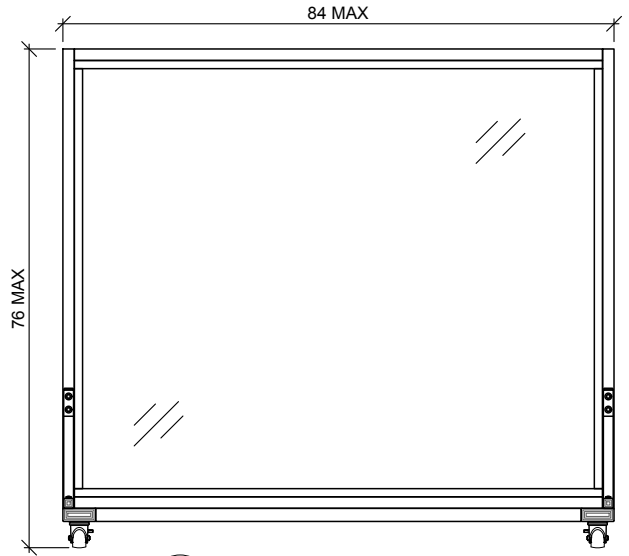


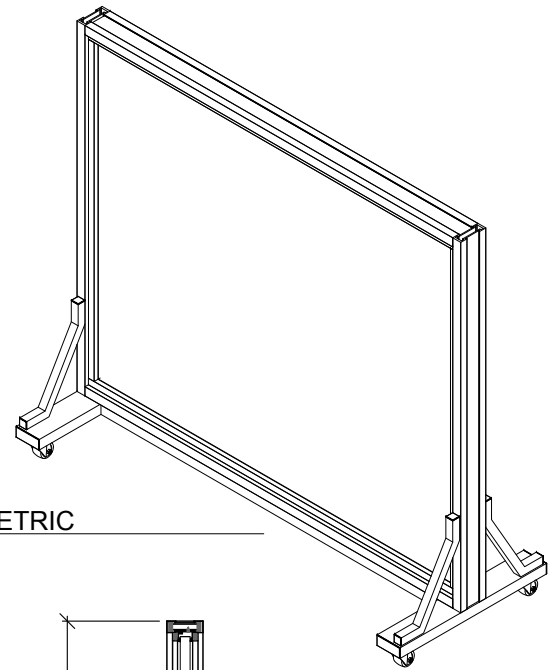
NOTES
 - LEVELS 1 THRU 8 AVAILABLE



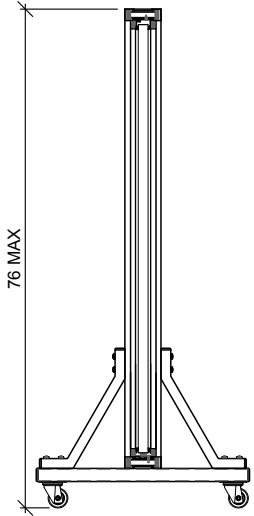
1
A1 PLAN



2
A1 ELEVATION



4
A1 ISOMETRIC



3
A1 ELEVATION

TOTAL SECURITY SOLUTIONS	Total Security Solutions 170 National Park Drive Suite 100 Phone: 517.225.7807 F: 517.223.0805 www.DemandTSS.com		PROJECT NAME: MOBILE BARRIER	DATE: DRAWN BY: BDJ ENG. BY: CHECKED BY:	SHEET TITLE: DETAILS	SHEET NUMBER: A1
			REVISIONS: # DATE DESCRIPTION	REVISIONS: # DATE DESCRIPTION	JOB#: SALES	

The information in this drawing is confidential. It is the property of TOTAL SECURITY SOLUTIONS. Written reproduction and/or distribution without the written consent of TOTAL SECURITY SOLUTIONS is prohibited.